

Snorkel

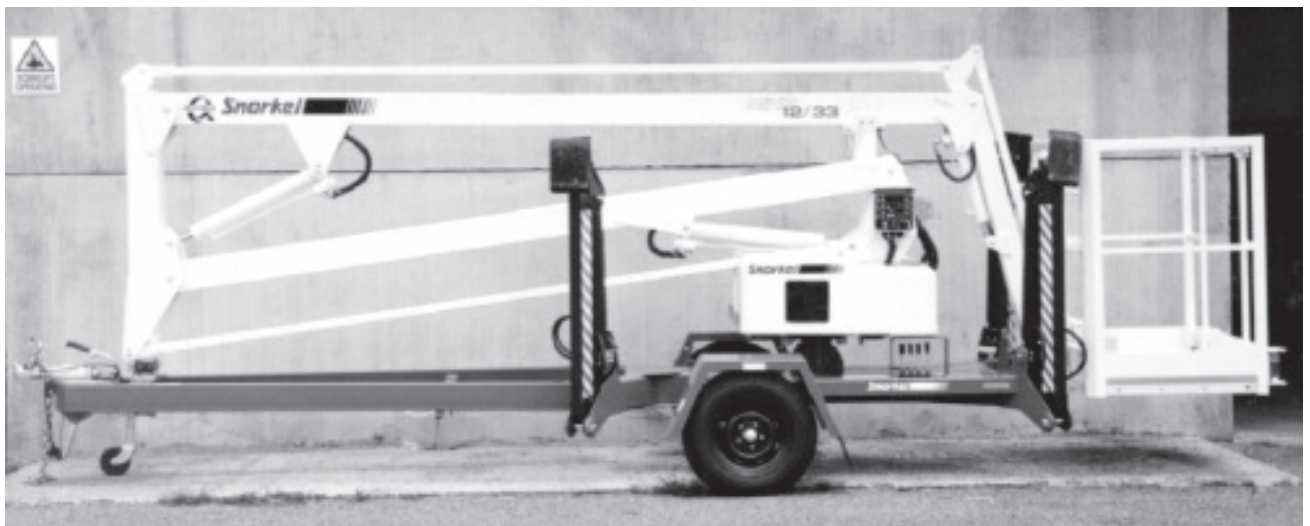
INTERNATIONAL



Operator's Manual

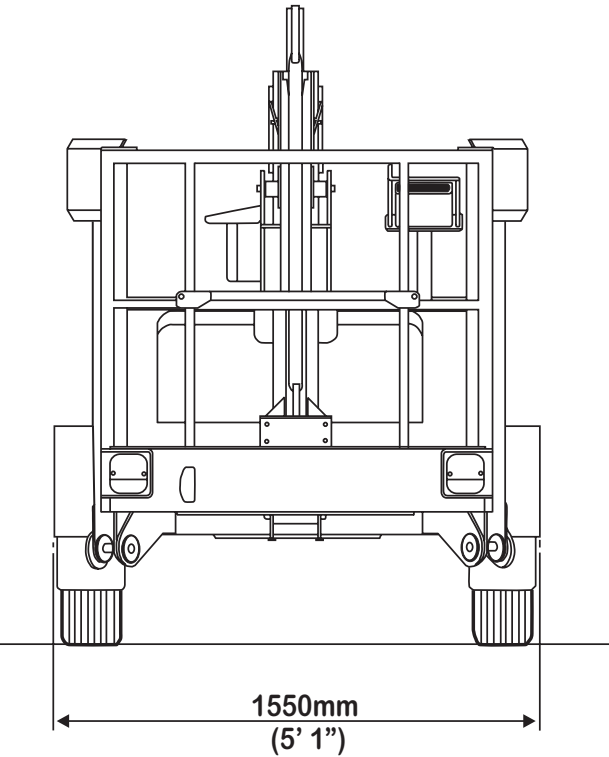
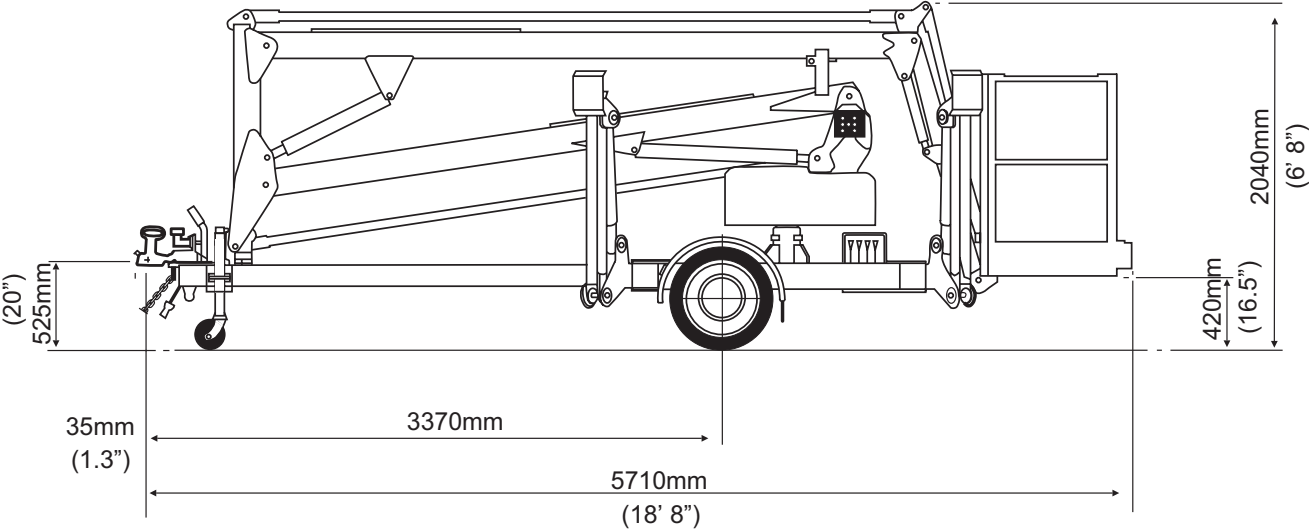
MHP 12/34J

**Engine Powered
Gasoline
Battery Electric**



P/N 11447A
April 2003
Bi-Energy and Self Level

■ Overall Dimensions - MPH12/34J



3. Specifications

■ Working Envelope - MHP12/34J

