

# MHP13AT/14AT

## TRAILER MOUNTED BOOM LIFTS



- Safe and stable working height of up to 13.5m
- Heavy duty trailer mounted articulated boom lift
- Robust steel platform with two man capacity
- Easy to use outrigger/boom safety interlocks
- Ideal for a wide range of applications

 **snorkel**  
[www.snorkellifts.com](http://www.snorkellifts.com)

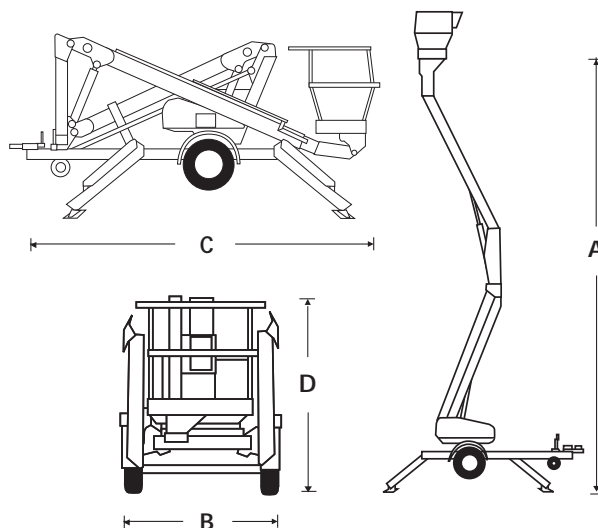
# TRAILER MOUNTED BOOM LIFTS MHP13AT/14AT

DIMENSIONS	MHP13AT	MHP14AT
Max. working height	12.9m	13.5m
Max. platform height (A)	10.9m	11.5m
Horizontal outreach	6.4m	6.4m
Platform size	1.15m x 0.70m	1.15m x 0.70m
Overall width (outriggers extended)	3.6m	3.6m
Overall width (outriggers retracted) (B)	1.6m	1.6m
Overall length (C)	4.9m	4.9m
Transport height (D)	2m	2m

PERFORMANCE		
Platform capacity	215kg	215kg
Max. wind speed	12.5m/sec	12.5m/sec
Levelling	Hydraulic (master/slave)	Hydraulic(master/slave)
Turntable rotation	540° non-continuous	540° non-continuous
Tyres	185 R14 102/100P	185 R14 102/100P
Brakes	Hydraulic over-run non free reversing	
Insulation rating	Nil	Nil
Trailer tongue weight	80kg	80kg

POWER		
Power source	Honda petrol	Honda petrol

WEIGHT		
Gross weight	1,460kg	1,460kg



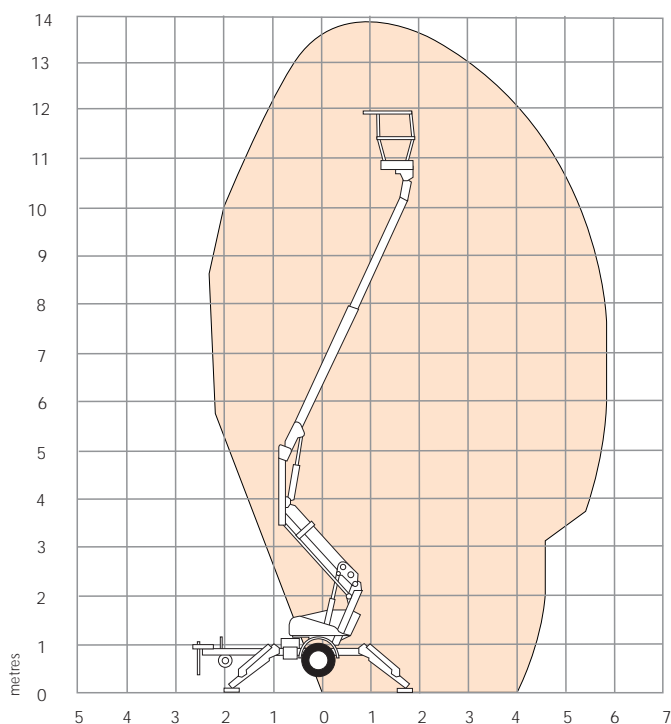
## STANDARD FEATURES

- Heavy duty tow coupling
- Hydraulic stabilisers
- Solid platform
- Two person capacity
- Heavy duty jockey wheel
- Hydraulic disc brakes
- Reliable petrol engine
- Outrigger/boom safety interlocks
- LED taillights
- Manual basket rotator

## OPTIONS

- Automatic stabilisers
- Custom colours
- Platform work lights
- Air line to platform
- Flashing light
- Height lockout (MHP14AT only)
- Lifting lugs
- Spare wheel
- 240V 110V outlet in platform
- Battery isolate switch
- Platform foot switch
- Diesel and bi-energy options

## WORKING ENVELOPE



**snorkel** [www.snorkellifts.com](http://www.snorkellifts.com)

36 Bruce Road, Levin,  
5510, New Zealand  
t: +64 (0)6 368 9168  
f: +64 (0)6 368 9164  
e: sales.nz@snorkellifts.com