

# MHP15HD

## TRAILER MOUNTED BOOM LIFT



- Working height of up to 14.8m
- Heavy duty trailer mounted articulated boom lift
- Superb and efficient engine for a smooth and accurate response
- Easy to use outrigger/boom safety interlocks
- Ideal for a wide range of applications

 **snorkel**  
[www.snorkellifts.com](http://www.snorkellifts.com)

## TRAILER MOUNTED BOOM LIFTS

# MHP15HD

### DIMENSIONS

	MHP15HD
Max. working height	14.8m
Max. platform height (A)	12.8m
Horizontal outreach	7m at 8m
Platform size	1.24m x 0.77m x 1.1m
Outrigger footprint	3.7m x 3.6m
Overall width (outriggers extended)	3.7m
Overall width (outriggers retracted) (B)	1.77m
Overall length (C)	7.45m
Transport height (D)	1.9m

### PERFORMANCE

Platform capacity	227kg
Platform capacity (with rotator)	200kg
Max. wind speed	12.5m/sec
Max. towing speed	80km/h
Levelling	Mechanical
Turntable rotation	540° non-continuous
Tyres	235/75 R15
Brakes	Hydraulic disc
Max. axle capacity	2,000kg
Trailer tongue weight	90kg
Insulation rating	Nil

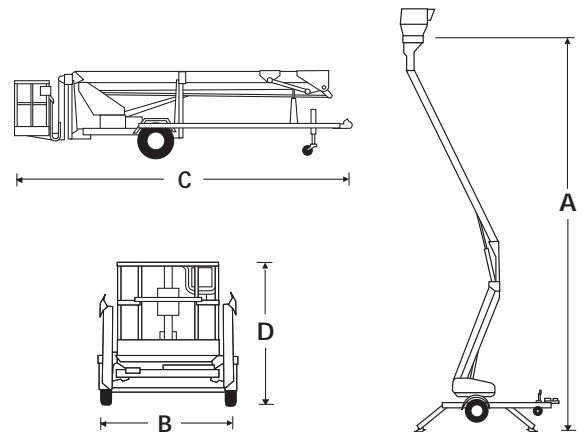
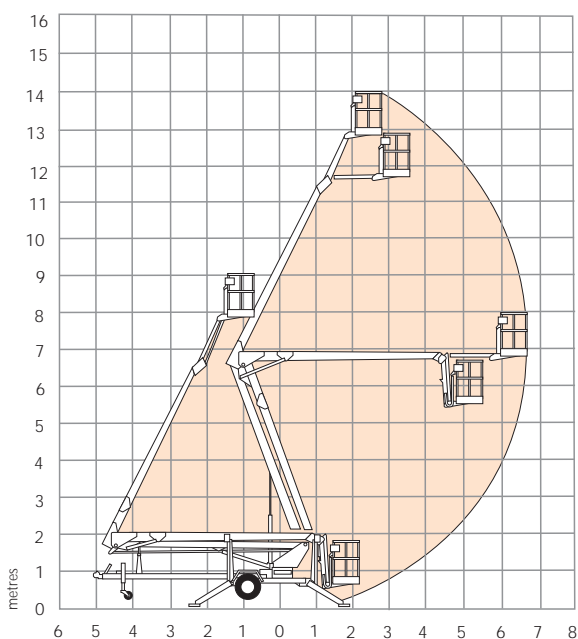
### POWER

Power source	Honda petrol engine 5.5Hp
Hydraulic system	Proportional electro/hydraulic

### WEIGHT

Gross weight	1,760kg
--------------	---------

### WORKING ENVELOPE



### STANDARD FEATURES

- Jib with 140° motion
- Two man steel platform
- Heavy duty tow coupling
- Heavy duty jockey wheel
- Hydraulic disc brakes
- Reliable petrol engine
- Lifting lugs
- Hour meter
- Hydraulic outriggers

### OPTIONS

- 360° continuous rotation turntable
- Flashing light
- 110/240V AC GFCO power to platform
- Platform rotator
- Automatic stabilisers
- 10.9m cut out switch
- Alternative power options

**snorkel** [www.snorkellifts.com](http://www.snorkellifts.com)

36 Bruce Road, Levin,  
5510, New Zealand  
t: +64 (0)6 368 9168  
f: +64 (0)6 368 9164  
e: sales.nz@snorkellifts.com